

the sleek, powerful
efficient
precise
light



**OUTPATIENT LED
EXAMINATION LIGHT**

**The next generation of
examination lighting has arrived.**

Outpatient LED is the perfect low maintenance, top-performing light for examination applications in the hospital, physician's office and veterinary field.

**Designed for patient comfort and
ease of use**

- LED sources provide virtually heat-free light for patient comfort
- High quality light for accurate color rendition
- Designed to reduce shadows on the examination area
- Modularity for ease of installation and assembly

Enhanced performance

- Increased illuminance to 90,000 lux (8361 fc) at 24" (61 cm)
- CRI (Color Rendering Index) > 95
- High R9 > 87, to accurately render skin tones
- Anti-microbial paint to inhibit the growth of microbes
- Lower profile to reduce space impact

Lower cost of ownership

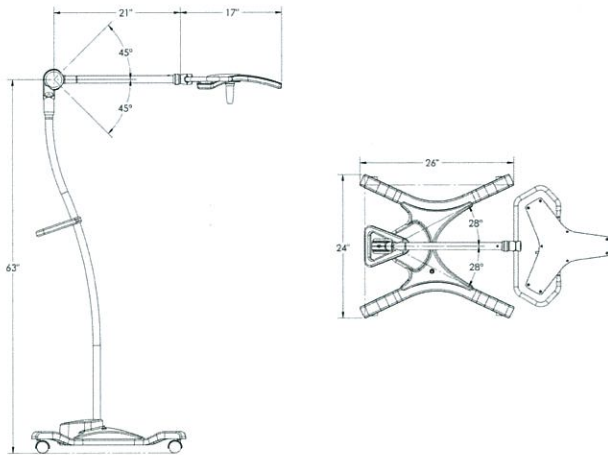
- LED illumination offers 10x (or 20,000 hours average) the operational life of traditional halogen solutions
- Provides a 75% energy savings over current halogen option
- Smooth finish aids routine cleaning
- Reduced maintenance



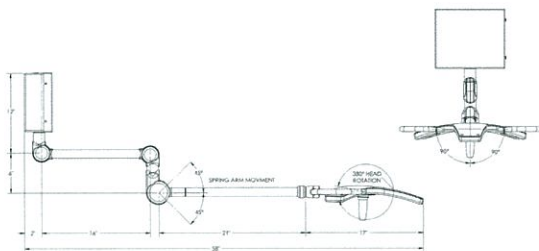
PHILIPS
burton

OUTPATIENT LED EXAMINATION LIGHT

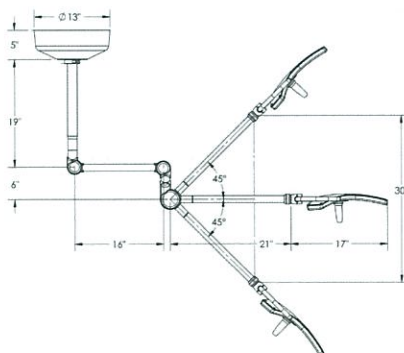
the next generation of exam lighting



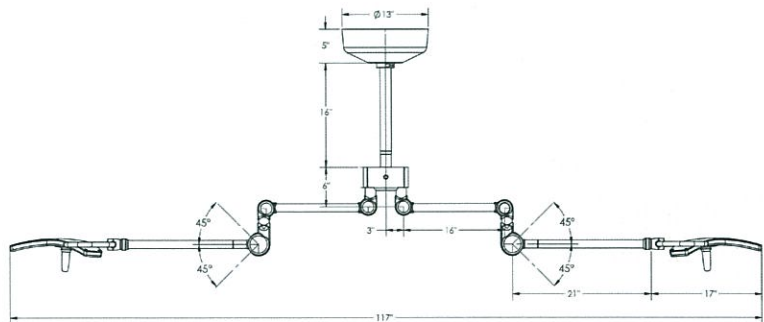
Floorstand



Wall Mount



Single Ceiling Mount



Double Ceiling Mount

Summary of technical data

| | |
|------------------------------|--|
| Illuminance: | 90,000 lux (8361 fc) at 24" (61 cm) |
| Color Temperature: | 3700 K |
| CRI (Color Rendering Index): | 95 |
| Light Source: | Light Emitting Diode (LED) |
| Rated Life of LED: | 20,000 hours average LED life |
| Power: | 42 Watts |
| Power Supply: | Integral electronic driver |
| Mounting Options: | Floorstand, Wall, Ceiling |
| Maximum Arm Reach: | 37.5" (95.25 cm) |
| Certifications/Approvals: | AAMI ES60601-1, IEC 60601-1-2, EN/IEC 60601-2-41 and CAN/CSA C22.2 NO. 60601-1 certified |
| Product Warranty: | 5-year warranty |

Ordering Information

| 120V Model | Description |
|------------|----------------------|
| OPLEDFL | Floorstand |
| OPLEDSC | Single ceiling mount |
| OPLEDDC | Double ceiling mount |
| OPLEDW | Wall mount |

©2016 Koninklijke Philips N.V. All rights reserved.
Philips reserves the right to make changes in specifications and/or to discontinue any product at any time without notice or obligation and will not be liable for any consequences resulting from the use of this publication.

Philips Burton
11500 Melrose Avenue
Franklin Park, IL 60131
Burtonmedical.com

PHILIPS
burton